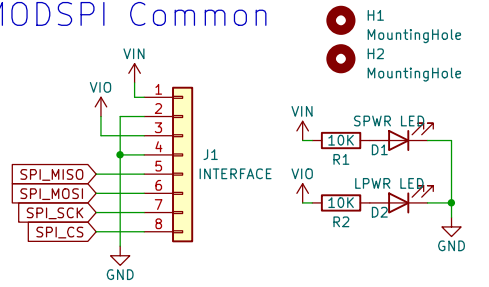
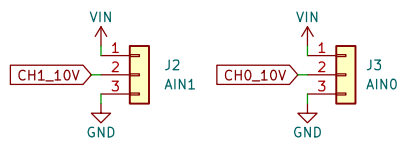


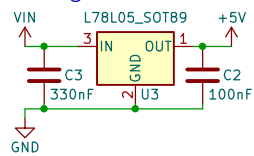
MODSPI Common



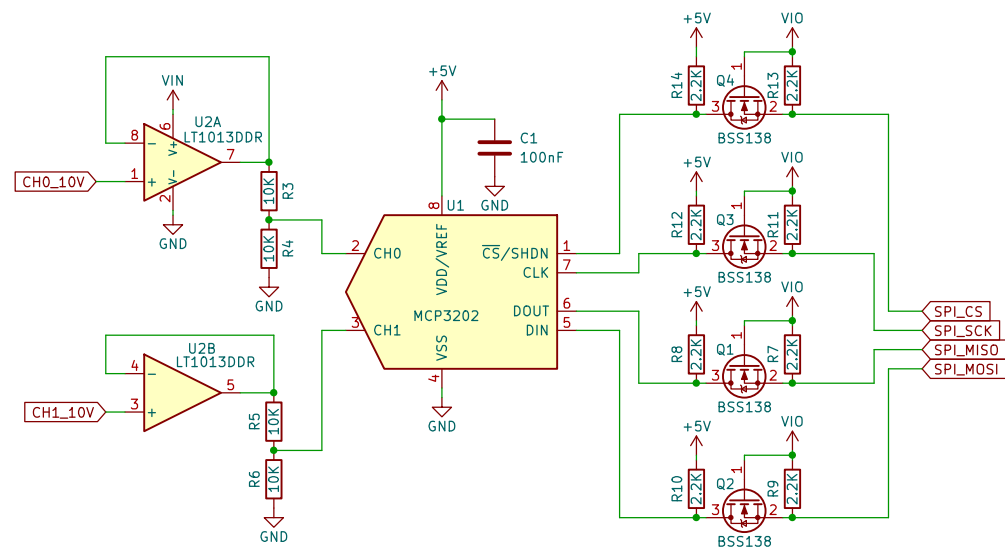
ADC Connectors



Voltage Regulators



ADC & OP AMPS



MODSPI 10V Analog Inputs

Sheet: /
File: MODSPI_10V_ADC.kicad_sch

Title:

Size: A4 Date: 20/05/2024

KiCad E.D.A. 8.0.2

Rev: V1.2

Id: 1/1